

Landi Seniors' Bench

The bench seat from the Landi model range, specially tailored to the needs of older people



The essential design and wood profiles of the Landi Seniors' Bench are based on the classic model from 1939. BURRI has adapted the seat height, inclination and seating angle, armrests and ergonomics in collaboration with senior citizens' organisations and other experts.

As well as the special construction, the smooth wood surface of the NATWOOD® is an important component that ensures optimal fitness for purpose. For example, assisted by the armrest, older people can sit on the front edge of the seat and then slowly shift backwards. Conversely, the design also makes getting up easier.

Durability and timeless design make the models of the Landi family a popular bench for public spaces.

Version:

- Galvanized tubular steel frame
- Stainless steel bolts
- Solid wood seat slats
 - Natural larch
 - NATWOOD® (Thermo Ash finish)
 - Fir painted

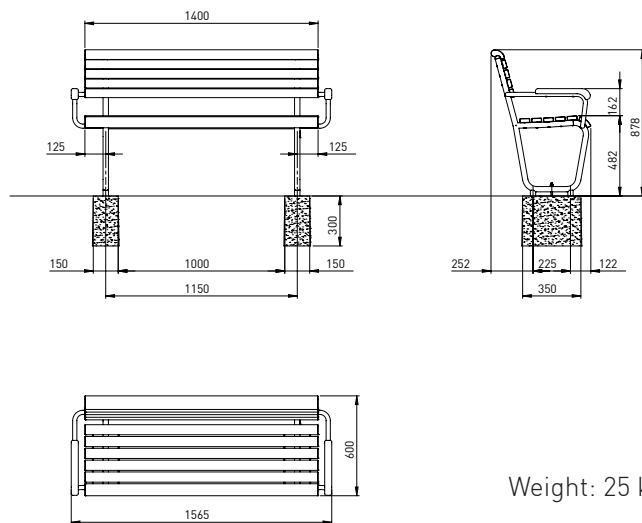
Other woods on request

Installation

- with base plates for free mounting
- dowelled onto solid flooring
- concrete foundations for ground installation
- with adapters for discrete installation

See overleaf for technical specifications

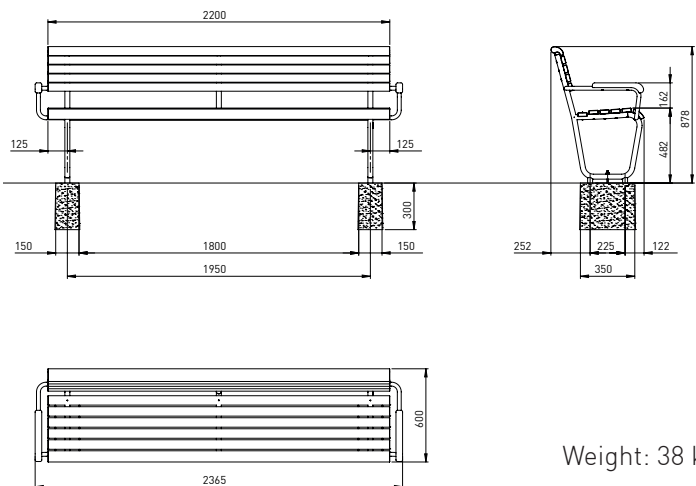
1_ Landi Seniors' Bench Twin



Weight: 25 kg

Item number	Seating surface material
AMBAN1000.2703	Natural larch
AMBAN1000.2701	NATWOOD®
AMBAN1000.2705	Fir painted (RAL/NCS)

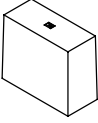
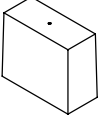
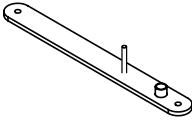
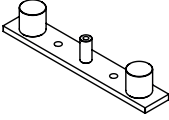
2_ Landi Seniors' Bench



Weight: 38 kg

Item number	Seating surface material
AMBAN1000.2713	Natural larch
AMBAN1000.2711	NATWOOD®
AMBAN1000.2715	Fir painted (RAL/NCS)

Landi Seniors' Bench Twin = 1
 Landi Seniors' Bench = 2

Concrete foundations				
Graphic	Item number	Description	Number	Bench seat
	AMBAN91003500	for ground installation Dimensions: 350 x 300 x 150 mm Weight: 42 kg	2 pieces	1, 2
	AMBAN91003501	for ground installation with anchor rail Dimensions: 350 x 300 x 150 mm Weight: 42 kg	2 pieces	1, 2
	AMBAN91003510	for ground installation with CNS threaded sleeve M10 Dimensions: 350 x 300 x 150 mm Weight: 42 kg	2 pieces	1, 2
Base plates				
Graphic	Item number	Description	Number	Bench seat
	AMBAN90001016	for positioning on finished flooring Dimensions: 50/10 x 600mm	2 pieces	1, 2
Adapters				
Graphic	Item number	Description	Number	Bench seat
	AMBAN10001017	for positioning 5cm under finished floor / dowelling onto foundations	2 pieces	1, 2