

BURRI Public Bin

Design for public space with technical finesse



The powder-coated stainless steel 'Public Bin' with anti-graffiti surface can be opened easily from both sides. Thanks to an adjustable cushioning cylinder the bin tilts into removal position without pull due to its dead weight. The inner aluminium container can then be removed and emptied easily. Public Bin locks automatically when pushed back.

Installation types: on wall, freestanding on square post or with CNS straps on existing masts.

Design:

- 3mm stainless steel/CNS outer container, laser-cut, rolled, welded
- 4mm stainless steel/CNS wall bracket
- 8mm stainless steel/CNS weather-proof lid
- Self-closing latch and solid end-to-end hinge shaft, stainless steel/CNS
- Removable inner aluminium container, rolled, seamed, with drainage holes, deep rim and elevated handle, suitable for handling with gloves
- Solid square post, hot-dip galvanised, flow drill bore holes with rolled threads

Industrial anthracite (5903 E 71 319) anti-graffiti powder-coating.

Mounting:

- Freestanding with square post for sand back-filling in a 20cm concrete pipe
- Wall mounting
- On existing masts with CNS straps

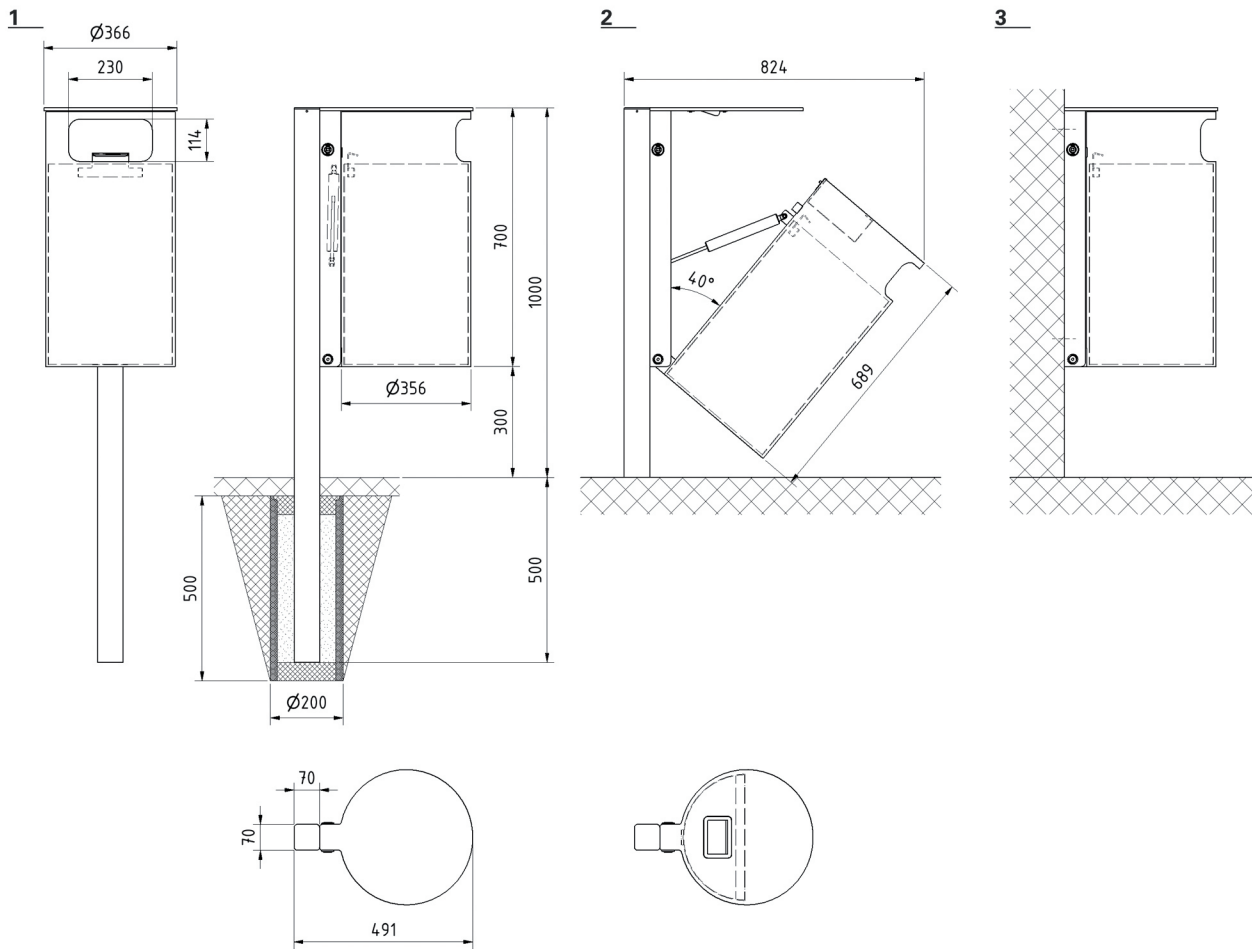
Public Bin models:

- Public Bin 50 litres, with inner container
- Public Bin wall mounted
- Public Bin with square supporting post
- Public Bin on masts

On request:

- Public Bin with side opening
- Post for 1 Public Bin, on the back hole for dog waste bag dispenser
- Post for 2 Public Bins, in one shaft
- Post for 2 Public Bins, at a 90° angle
- Post for 3 Public Bins
- Post for 4 Public Bins

For technical specifications see p. 2-3



1
Public Bin for square supporting post:
 Public Bin 50 litres, with inner container.

- Diameter 366 mm
- Height 700 mm
- Weight Public Bin 35 kg

Square supporting post for 1 Public Bin 50 L

Solid post made of thick-walled square steel pipe, hot-dip galvanised and industrially powder-coated with anti-graffiti paint, with flow drill bore holes and high-quality, rolled threads for mounting the waste bin.

- Overall height of post 1.5 m
- Height from finished level ground 1.0 m
- Finished level ground up to the Public Bin 0.3 m
- Weight of square supporting post 13 kg

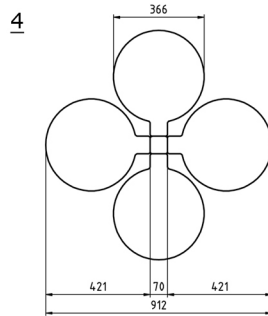
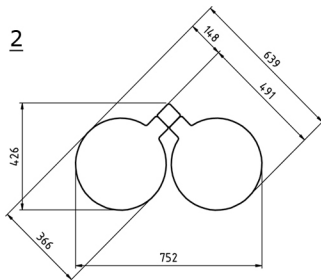
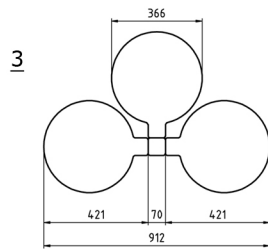
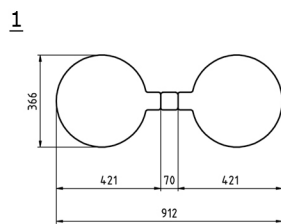
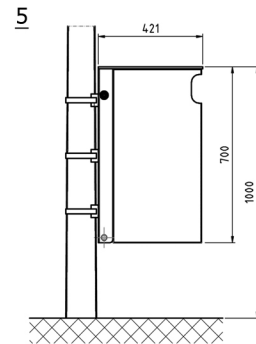
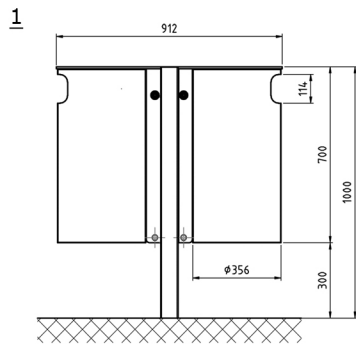
2
Public Bin for wall mounting:
 Public Bin 50 litres, with inner container.

Design as Public Bin for square supporting post.

Mounting:

- Free-standing with square supporting post for sand back-filling in 20 cm concrete pipe
- Wall mounting with wall plugs or anchors

Mounting onto existing masts with CNS straps cf. p.3



Special square supporting post for Public Bin 50L:

1-4

On request:

- Post for 2 Public Bins in one shaft
- Post for 2 Public Bins at a 90° angle
- Post for 3 Public Bins
- Post for 4 Public Bins

Post for 1 Public Bin with hole for dog waste bag dispenser on the back

Mounting onto mast:

Public Bin 50 litre, on existing mast by means of CNS straps.

Connection parts and CNS straps on request.

BURRI Public Bin, 110-litre

Large capacity or elegant waste separation



The powder-coated, stainless steel waste container of the 110-litre Public Bin with its anti-graffiti surface has a large capacity to permit longer intervals between emptying or an elegant waste-separation solution.

The 110-litre version can also be easily opened on both sides thanks to our tried-and-tested system. When the catch is released, the waste-bin container tilts under its own weight into removal position thanks to the damping cylinder. The aluminium inner container is then easy to pull out and empty.

When pushed back, the Public Bin 110-litre locks into position again. Installation options: wall-mounted, free-standing on square-section post or with stainless steel bands to existing lamp posts.

Design:

- 3mm stainless steel/CNS outer container, laser-cut, rolled, welded
- 4mm stainless steel/CNS wall bracket
- 8mm stainless steel/CNS weather-proof lid
- Self-closing latch and solid end-to-end hinge shaft, stainless steel/CNS
- Removable inner aluminium container, rolled, seamed, with drainage holes, deep rim and elevated handle, suitable for handling with gloves
- Solid square post, hot-dip galvanised, flow drill bore holes with rolled threads

Industrial anthracite (5903 E 71 319) anti-graffiti powder-coating.

Mounting:

- Freestanding with square post for sand back-filling in a 20cm concrete pipe
- Wall mounting
- On existing masts with CNS straps

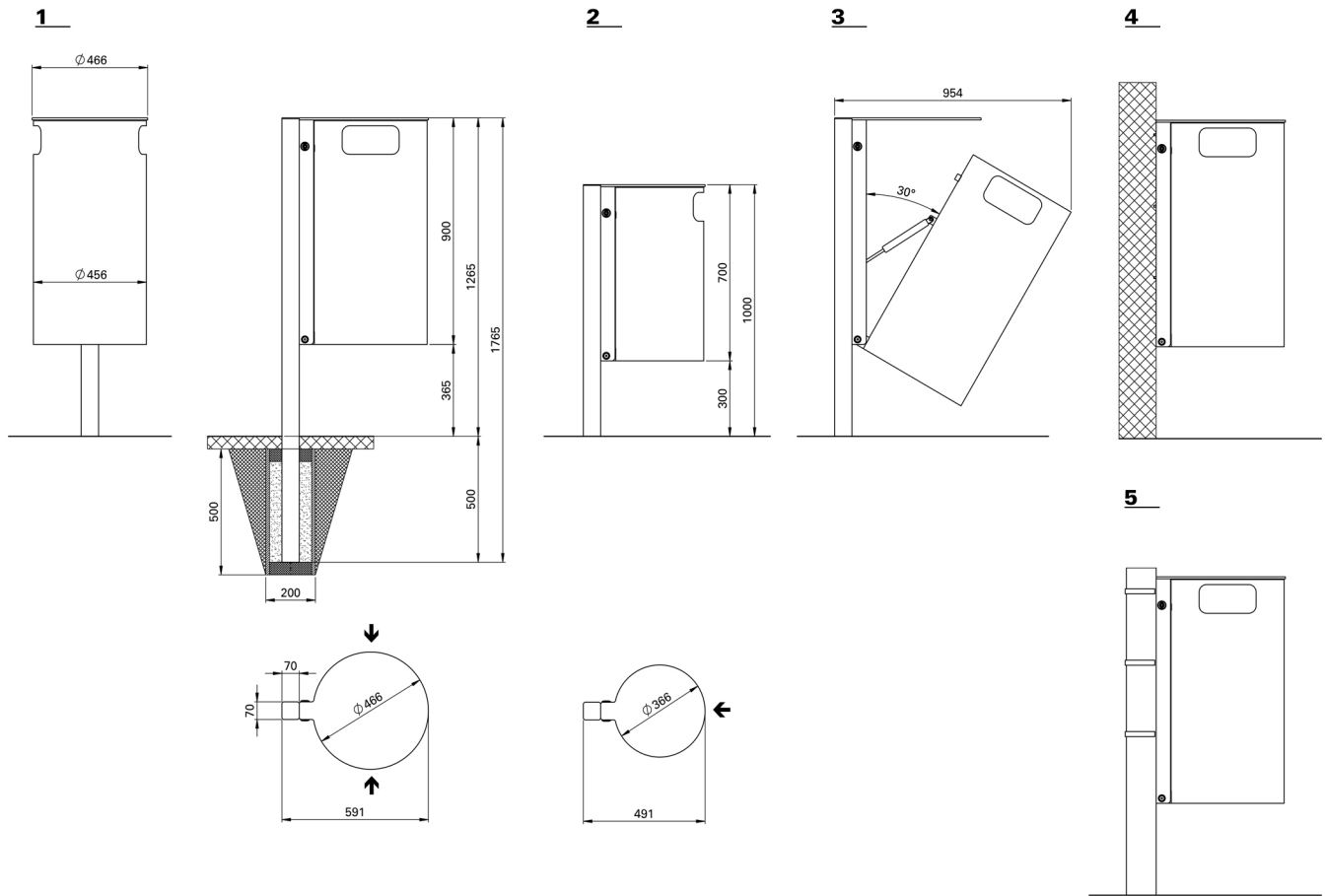
Public Bin, 110-litre:

- 2 side openings, with 110 litre inner container or 2x 54-litre inner containers

Upon request:

- 1 opening at the front, with 110-litre inner container (Option: Available with integral ashtray)
- 3 openings, with 3x 35-litre inner containers
- Public Bin 110-litre with opening at the side
- Public Bin 110-litre with screen-printed lid
- Post for 1 Public Bin and holes for dog-waste bag dispenser or external ashtray
- Post for 2 Public Bins, on a single axis

Technical specifications, see pages 2-3



- 1**
Public Bin 110-litre, with inner container:
 - Diameter: 466 mm
 - Height: 900 mm
 - Weight of Public Bin: 55 kg

- 2**
Public Bin 50-litre, with inner container:
 - Size comparison

Mounting:

- Free-standing with square supporting post for sand back-filling in 20 cm concrete pipe
- Wall mounting with wall plugs or anchors
- Mounting onto existing masts with CNS straps

- 3**
Mounting on square-section post:
 Public Bin 110-litre, with inner container.

Solid post made of thick-walled square steel pipe, hot-dip galvanised and industrially powder-coated with anti-graffiti paint, with flow drill bore holes and high-quality, rolled threads for mounting the waste bin.

- Overall height of post 1765 mm
- Height from finished level ground 1265 mm
- Finished level ground up to the Public Bin 365 mm
- Weight of square supporting post 14 kg

- 4**
Wall-mounted:
 Public Bin 110-litre, with inner container

Designed like Public Bin 110-litre for square-section post.

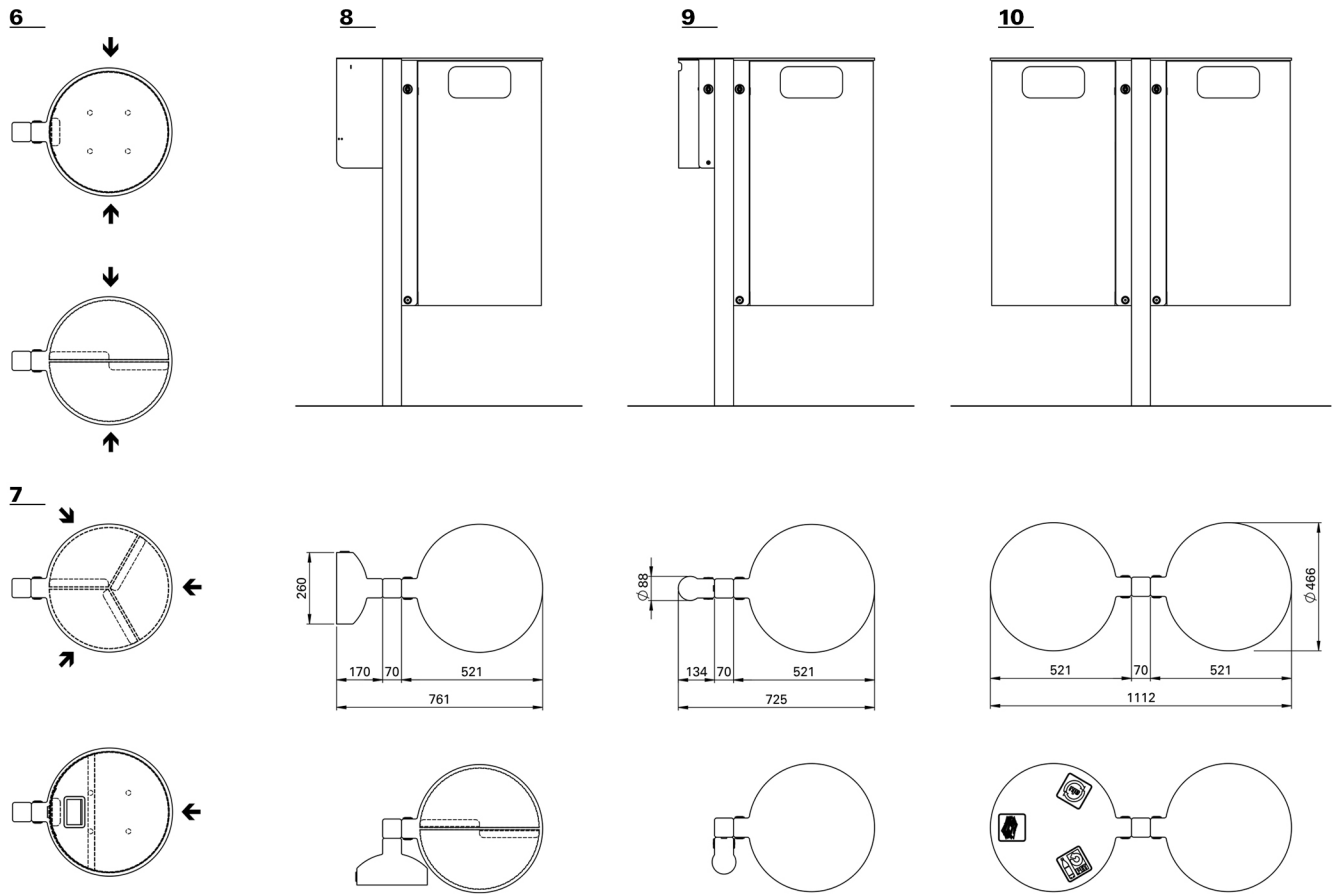
Wall-mounting dowels or anchors upon request.

Upon request:

- 5**
Attachment to lamp post:
 Public Bin 110-litre, with inner container

Designed like Public Bin 110-litre for square-section post. Attached to existing lamp post by stainless steel bands.

Connection parts and stainless steel U-bolts on request.



6
Inner container options standard:
 - Single 110 l
 - Divided in two: 2x 54 l

7
Inner container options upon request:
 - Single 110-litre with integrated ashtray
 - Divided in three: 3x 35-litre

Upon request:
 Special square-section posts for Public Bin 110-litre upon request.

8
Attachment of dog-waste bag holder:
 - Post for one Public Bin and one dog-waste bag holder attached at the back or side

9
Attachment of external ashtray:
 - Post for one Public Bin and one external ashtray attached at the back or side

10
Multiple installations:
 - Post for two Public Bins on a single axis