

Landi Classic 1939

The timeless classic – created by Alfred Altherr and Charles Hoch



The Landi Bench is probably the best-known Swiss bench seat, and to this day it remains an integral part of the cityscape. Designed for the Swiss National Exhibition in 1939, this BURRI bench has been in service for decades – in public parks and city squares, at viewpoints and in Swiss railway stations.

The durability and timeless design of the Landi make it an extremely popular public bench for all generations. For the different variants of the Landi Bench, there are tables, loungers and other furniture in the same design.

In 2019, the Landi celebrates its eightieth birthday. To mark the occasion, BURRI is reintroducing the original 1939 version of the Landi Classic.

Version:

- Galvanized tubular steel frame
- Stainless steel bolts
- Solid wood seat slats
 - Natural larch
 - Fir green-grey or painted red

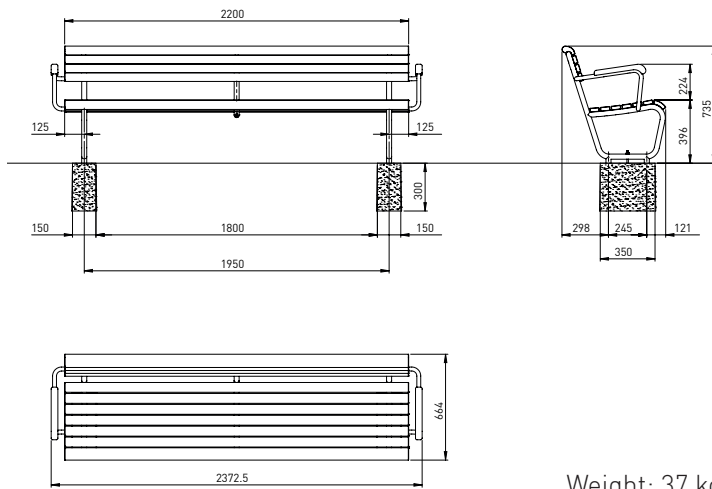
Other colours and woods on request

Installation

- with base plates for free mounting
- dowelled onto solid flooring
- concrete foundations for ground installation

See overleaf for technical specifications

1 Landi Classic 1939 with back and armrests

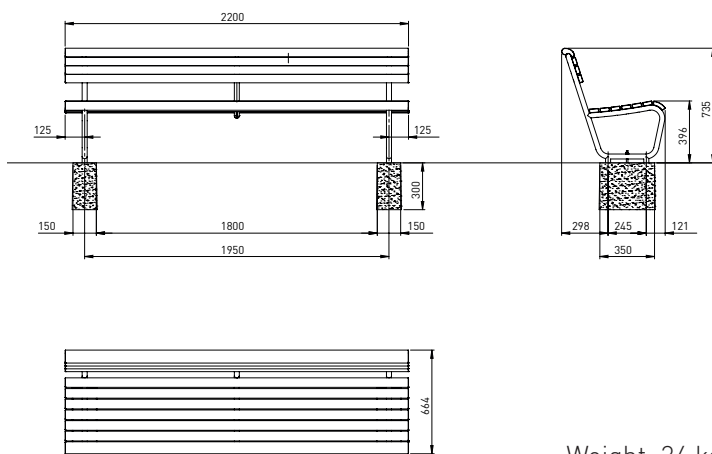


Weight: 37 kg

Item number Seating surface material

- AMBAN10002470 Natural larch
- AMBAN10002471 Fir green-grey painted
- AMBAN10002472 Fir red painted (RAL/NCS)

2 Landi Classic 1939 with backrest

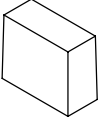
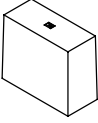
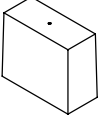
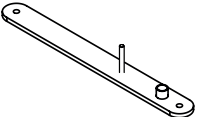
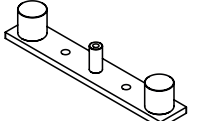


Weight: 34 kg

Item number Seating surface material

- AMBAN10002475 Natural larch
- AMBAN10002476 Fir green-grey painted
- AMBAN10002477 Fir red painted (RAL/NCS)

Landi Classic 1939 with back and armrests = 1
 Landi Classic 1939 with backrest = 2

Concrete foundations				
Graphic	Item number	Description	Number	Bench seat
	AMBAN91003500	for ground installation Dimensions: 350 x 300 x 150 mm Weight: 42 kg	2 pieces	1, 2
	AMBAN91003501	for ground installation with anchor rail Dimensions: 350 x 300 x 150 mm Weight: 42 kg	2 pieces	1, 2
	AMBAN91003510	for ground installation with CNS threaded sleeve M10 Dimensions: 350 x 300 x 150 mm Weight: 42 kg	2 pieces	1, 2
Base plates				
Graphic	Item number	Description	Number	Bench seat
	AMBAN90001014	for positioning on finished flooring Dimensions: 60/10 x 550mm	2 pieces	1, 2
Adapters				
Graphic	Item number	Description	Number	Bench seat
	AMBAN10001016	for positioning 5cm under finished floor / dowelling onto foundations	2 pieces	1, 2